

TELEINDUSTRIA srl

Phone:..... (39) 2 45713729

Fax:..... (39) 2 45714000

E-mail:..... sales@teleindustria.it

Web-site:..... www.teleindustria.com

Weather-proof IP66 analogue ACB industrial telephone, shock-proof IK10 with auto fault-detection & audio test model TLA457T e TLA457TV



Weather-proof IP66 industrial wall mounting analogue ACB telephone, with shock-proof IK10 aluminum body and heavy-duty IP66-IK10 handset with stainless-steel cord, extended keypad with single metal made buttons, modello **TLA457T e TLA457TV**

Electrical characteristics:

Powered by telephone line:	12÷60 Vdc
Ringing voltage:	25÷100 V _{EFF}
Dialling:	DTMF
Electronic Bell:	up to 95dB@1m, adjustable
Hook:	magnetic, high protection
Programmable:	100% programmabile remotely by DTMF
MTBF:	> 180.000 hors
MTTR:	3 minutes

Extended Keypad:

14 keys keypad, with single aluminum buttons, with double function activated by the button Fn:

- 12 buttons (*, #, 0,1...9)
- R (flash), RP (last number redial)
- Pre-memorized call buttons (M1÷M8)
- Volume adjustment V+, V-
- Hook key, or hands-free mode (on TLA457TV only)
- Door opening button, on DTMF password
- Red LED indicating "on line" or "incoming call"
- Blue LED indicating fault conditions

Optional functions:

- Local audio test &
- Hands-Free Full-Duplex
- Booster amplifier for external loudspeaker (supplied@12Vcc)
- Auxiliary hook contact
- Call repeating relay for external repeaters
- Remote command relay on password DTMF
- Remote diagnostic software TelDia®
- Fault relay (module FAR-01)

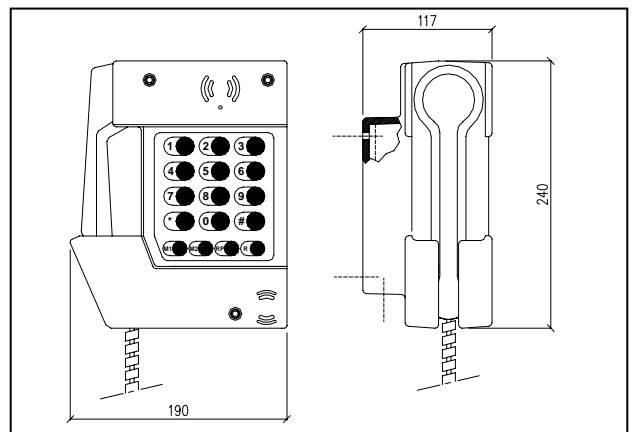
Material:.....aluminum 5mm/RAL 2003
 Handset:..... aluminum 2mm/black
 Handset's cord:.....stainless steel, 200kg resistance
 Mounting:on wall
 Wiring:.....screw terminals Ø2,5mm
 Dimensions:.....190x240x117mm
 Weight:.....3,6 kg
 IP-rating:.....IP66
 Shocks resistance:IK10
 Operating temperature:.....-40°C ÷ +70°C
 Cables inlets:.....2 holes Ø20mm, with cableglands for cables Ø5÷8mm

Automatic Fault-detection

Automatic periodical test of all the functions and main devices of the telephone, including audio test of microphone and earpiece. The state of service is indicated by the flashing blue LED. A Fault-Relay module is available on demand.

Missing or out of order handset:

The hands-free version (TLA457TV) still operates also when the handset is missing or out of service.



Installation, Operation and Maintenance Procedures

- Open the pivoting front panel removing the three screws.
- Pass the cables through the cableglands being sure that the cable fit with the rubber gasket
- Connect the telephone wires at the screw terminals as indicated in the operator's book
- Make a functional test calling another extension and asking to be re-called
- Adjust the volume of the bell (see operator's book)
- Adjust the sensitivity of the microphone (see operator's book)
- Close the front panel paying attention to the position of the gaskets

This equipment is supplied with a 2 year warranty against defective workmanship

